

# HYVA<sup>®</sup> CRANE HA 22

| MODELS   | LIFTING MOMENT | MAX VERTICAL REACH | SLEWING ANGLE | SLEWING TIME | MAX WORKING HEEL | WORKING PRESSURE | CRANE WEIGHT WITHOUT STABILIZERS | OIL TANK CAPACITY | OIL FLOW | DIMENSIONS    |
|----------|----------------|--------------------|---------------|--------------|------------------|------------------|----------------------------------|-------------------|----------|---------------|
|          | T.m            | m                  | °             | s/180°       | °                | bar              | kg                               | l.                | l/min    | mm. B x h x S |
| HA 22 E1 | 2              | 3,58               | 335           | 15           | 3                | 160              | 216                              | 17,5              | 8        | 715x1485x430  |
| HA 22 E2 | -              | 4,51               | 335           | 15           | 3                | 160              | 243                              | 17,5              | 8        | 715x1485x430  |
| HA 22 E3 | -              | 5,45               | 335           | 15           | 3                | 160              | 265                              | 17,5              | 8        | 868x1525x430  |

## ACCESSORIES

Supplementary element activation  
Manual extensions  
Turning stabilizers  
Manually opening stabilizers  
Oil tank  
Electro-hydraulic powerpack

## ACCESSOIRES

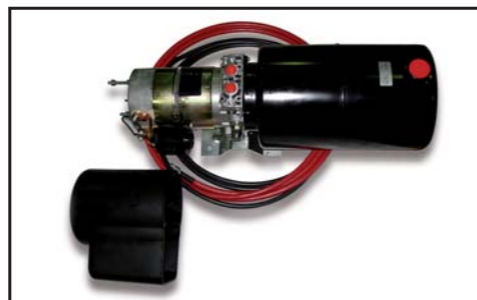
Activation éléments supplémentaires  
Rallonges mécaniques  
Stabilisateurs pivotants  
Stabilisateurs élargissables manuels  
Réservoir pour huile  
Electro-hydraulique

## ZUBEHOERE

Zusatzfunktionen  
Mechanische Verlängerungen  
Drehbare Abstützbeine  
Manuell ausfahrbare Abstützungen  
Ölbehälter  
Elektro-hydraulisches Schaltgerät

## ACCESORIOS

Ativação de elementos suplementares  
Prolongações mecânicas  
Estabilizadores giratórios  
Estabilizador alongado manual  
Tanque de óleo  
Central electro-hidraulica



Electro-hydraulic powerpack, Pompe électro-hydraulique  
Elektro-hydraulisch Schaltgerät, Central electro-hidraulica

## DEALER

Data, descriptions and illustrations are merely indicative and not binding. Cranes manufactured and/or marketed by HYVA - Les données, descriptions et illustrations sont uniquement indicatives et n'engagent pas HYVA. Grues produites et/ou vendues par HYVA - Angaben, Beschreibungen und Abbildungen sind weisend und verpflichten nicht HYVA. Die Kräne werden von HYVA hergestellt und/oder vermarktet - Os dados as descrições e ilustrações são indicativos e não comprometem HYVA. Guindaste produzidos e/ou comercializados pela HYVA.



# HYVA<sup>®</sup> CRANE

**HYVA International B.V.**  
Ondernemingsweg 1  
2404 HM Alphen aan den Rijn  
The Netherlands  
Telephone: (31)172 - 42 35 55  
Telefax: (31)172 - 43 31 96  
[info@hyva.com](mailto:info@hyva.com)  
[www.hyva.com](http://www.hyva.com)

**HYVA an ISO 9001  
certified company  
since 1991**

HA 22

**HA**

HA 22X

# HYVA<sup>®</sup> CRANE



# HA 22

HYVA MOVES YOUR WORLD

# HYVA<sup>®</sup> CRANE HA 22



- Load limiting device (CE)
- Control panel with customised position
- Controls guard panel by ABS
- Worm screw slewing
- Independent telescopic cylinders
- Hexagonal section extensions
- Fittings SAE-JIC
- Design in accordance with:  
DIN15018 - EN12999
- Fatigue test classification: B3



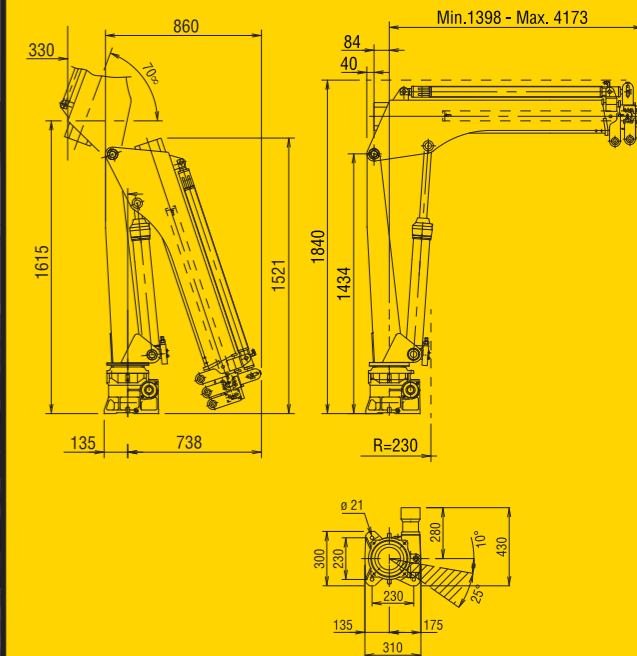
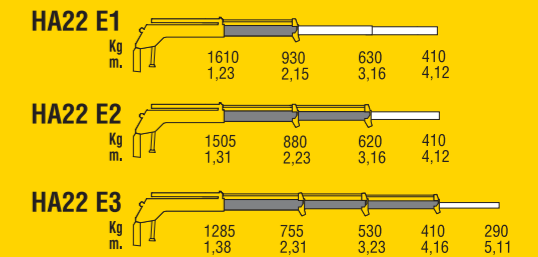
- Limiteur de moment (CE)
- Panneau de commandes à positionner selon la demande
- Enveloppe de protection commande en ABS
- Rotation par vis sans fin
- Extension à section hexagonale
- Vérins hydrauliques indépendants
- Tujauterie SAE-JIC
- Normes de calcul: DIN15018 - EN12999
- Essai de fatigue avec classification: B3



- Momentbegrenzer (CE)
- Bedienungslage nach Wunsch
- Bedienungsschutz durch ABS
- Drehung durch Schnecke
- Unabhängige hydraulische Heber
- Sechskantige Ausschübe
- Anschlüsse SAE-JIC
- Berechnungsnorm nach:  
DIN15018 - EN12999
- Ermüdungstest in Klasse: B3



- Limitador de momento (CE)
- Painel de comandos a posicionar a pedido
- Caixa de protecção dos comandos em ABS
- Rotação em contínuo
- Cilindros telescópicos independentes
- Extensões sextavadas
- Conexões SAE-JIC
- Norma de projeto:  
DIN15018 - EN12999
- Typo de Ensayo a la fatiga: B3



## HA22 X



- Compact dimensions and reduced weight
- Proportional speed control of any single movement
- Stabilizer control by radio

- Thanks to their extremely compact dimensions all cranes in the HA series are projected to be mounted on small equipment such as: car trailer, tracked vehicle, pickup, small trucks and stationary mounting;
- Control panel with customised position in order to always have the more ergonomic position;
- Hexagonal extensions with sliding pads allow to always have rigid and aligned boom.