

UNIC

UNIC

V500

V500

Truck-Mounted UNIC Crane UR-V500 SERIES

For Heavy-Duty truck.

maximum lifting capacity. **3,030 kg.**

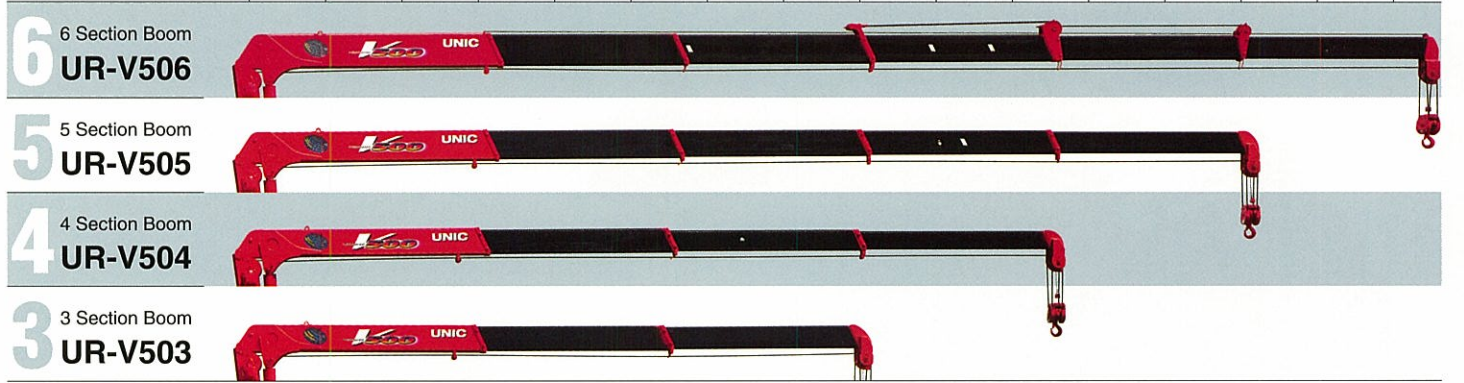
17.3 m. *maximum hook height
(6 section boom).*



FURUKAWA UNIC CORPORATION

UNIC UR-V500 Series Line-up

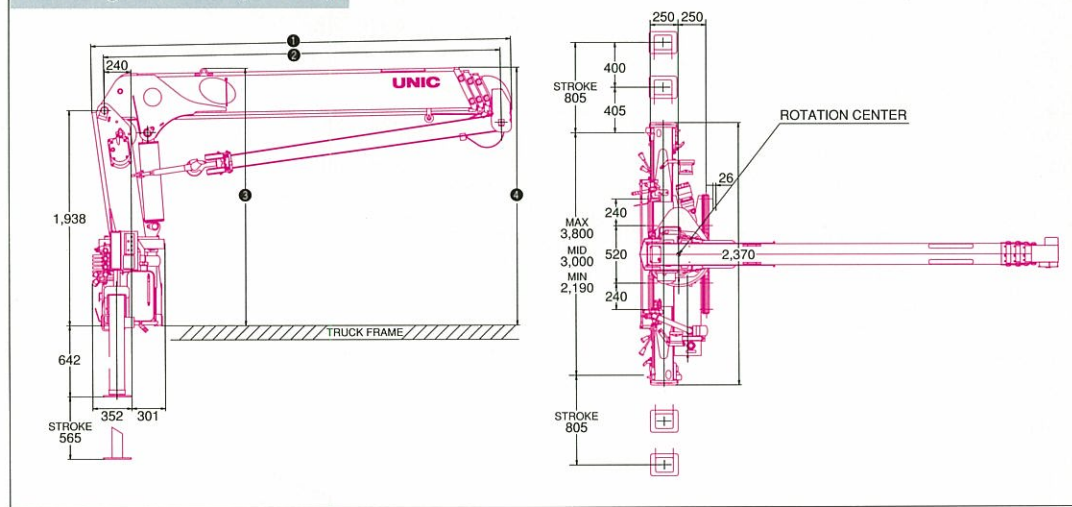
0 3.28 6.56 9.84 13.12 16.40 19.68 22.96 26.24 29.52 32.80 36.08 39.36 42.64 45.92 49.20 (ft.)
 0 1 2 3 4 5 6 7 8 9 10 11 12 13 14 15 (m)



Specifications Table

UR-V500 series		UR-V506	UR-V505	UR-V504	UR-V503
Maximum Lifting Capacity	lbs.	6,670 lbs. at 12.79 ft.	6,670 lbs. at 12.79 ft.	6,670 lbs. at 13.45 ft.	6,670 lbs. at 13.45 ft.
	kg.	3,030 kg. at 3.9 m.	3,030 kg. at 3.9 m.	3,030 kg. at 4.1 m.	3,030 kg. at 4.1 m.
Maximum Hook Height	ft.	Max. 56.74 ft.	Max. 49.53 ft.	Max. 41.66 ft.	Max. 33.46 ft.
	m.	Max. 17.3 m.	Max. 15.1 m.	Max. 12.7 m.	Max. 10.2 m.
Maximum Working Radius	ft.	Min. 2.39 ft. to Max. 50.74 ft.	Min. 2.30 ft. to Max. 43.03 ft.	Min. 2.20 ft. to Max. 34.77 ft.	Min. 2.16 ft. to Max. 26.57 ft.
	m.	Min. 0.73 m. to Max. 15.47 m.	Min. 0.70 m. to Max. 13.12 m.	Min. 0.67 m. to Max. 10.60 m.	Min. 0.66 m. to Max. 8.10 m.
Boom Length	ft.	Min. 12.89 ft. to Max. 51.53 ft.	Min. 12.30 ft. to Max. 43.79 ft.	Min. 11.71 ft. to Max. 35.56 ft.	Min. 11.51 ft. to Max. 27.36 ft.
	m.	Min. 3.93 m. to Max. 15.71 m.	Min. 3.75 m. to Max. 13.35 m.	Min. 3.57 m. to Max. 10.84 m.	Min. 3.51 m. to Max. 8.34 m.
Boom Sections		6	5	4	3
Boom Raising Angle		Min. 1° to Max. 78°			
Slewing Angle		360° Continuous			

Drawing: UR-V504 (Unit: mm)



NOTE

- Rated loads shown in the chart are based on the crane strength with the outriggers fully extended on a firm level ground and on the actual working radius including the deflection of boom.
- The weights of hook (66 Lbs. / 30 kg.), slings, and any accessories attached to the boom or loadline must be deducted from the above capacities in the chart.
- Capacities shown must reduce in accordance with vehicle weight and loaded condition of truck, crane mounting position, and operating speed.
- The figures in relation to the speed are on the basis of no-load running at rated oil flow conditions.
- In accordance with our policy of constant product improvement, all specifications are subject to change without notice or obligations.



HOOK
+
SLINGS
+
LOAD
=
RATED LOAD

Crane Mounting Dimensions

Crane Model	①	②	③	④
UR-V506	4,139	Min. 3,930 ~ Mid. 6,330 ~ 8,720 ~ 11,050 ~ 13,380 ~ Max. 15,710	2,398	2,535
UR-V505	3,959	Min. 3,750 ~ Mid. 6,150 ~ 8,550 ~ 10,950 ~ Max. 13,350	2,359	2,363
UR-V504	3,779	Min. 3,570 ~ Mid. 6,000 ~ 8,420 ~ Max. 10,840	2,312	2,319
UR-V503	3,720	Min. 3,510 ~ Mid. 5,940 ~ Max. 8,340	2,312	2,319

FURUKAWA UNIC CORPORATION

Head Office: Center Bldg., 3-12, Higashishinagawa 2-chome, Shinagawa-ku, TOKYO 140-0002 JAPAN
 Phone: (81-3) 5460-4154 / Facsimile: (81-3) 5460-4191
 URL <http://www.furukawaunic.co.jp/>